



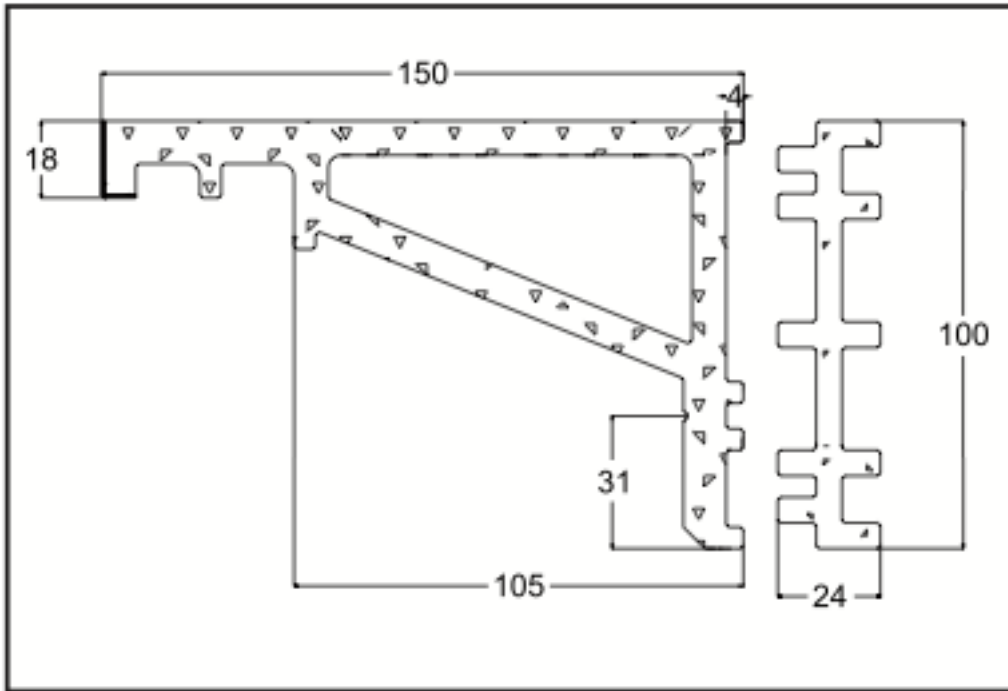
# R-2001

Specific

## New development

## Technical advantages

- A 100-mm back width ensures a high degree of stability.
- The frame can be fixed directly to the inner leaf without using BAT anchors.
- A profile with a visible frame width of 18 to 21 mm, while the 0.8-mm black co-extrusion layer ensures a fine shadow line.
- Standard suitable for cavity widths from 105 to 140 mm.
- If provided with an auxiliary profile even to 160 mm.
- Available as a complete product and in trade lengths.
- Suitable for nailing, screwing and sawing.
- Exceedingly strong corner joints because these are welded and milled for custom-made goods. This ensures the perfect drainage of water from the cavity.
- Suitable for pouring along in prefab concrete elements.
- +35% improved insulation compared to traditional mounting frames.
- Improved insulation up to 70% when applying foam-filled profiles.



**RECYSTEL**

**Recystel**

De Compagnie 7  
1689 AG Zwaag – The Netherlands

Postbus 4065  
1620 HB Hoorn – The Netherlands

T: +31(0)229 - 265 170

F: +31(0)229 - 265 872

E: [info@recystel.nl](mailto:info@recystel.nl)

[www.recystel.nl](http://www.recystel.nl)